








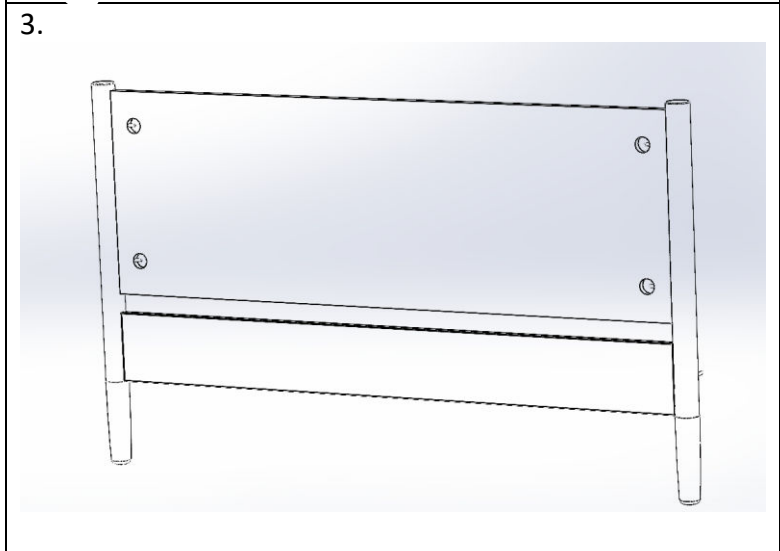
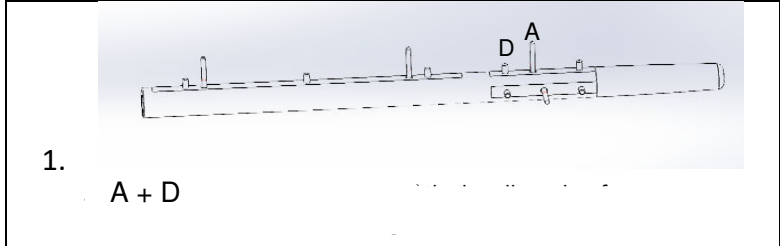
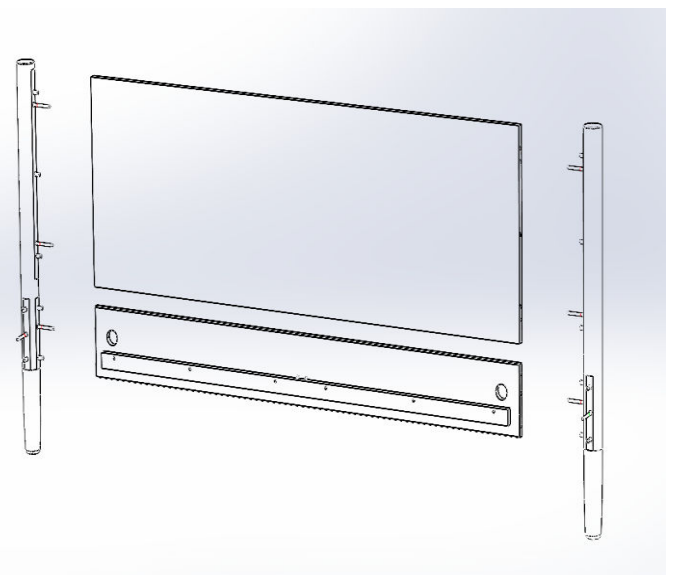


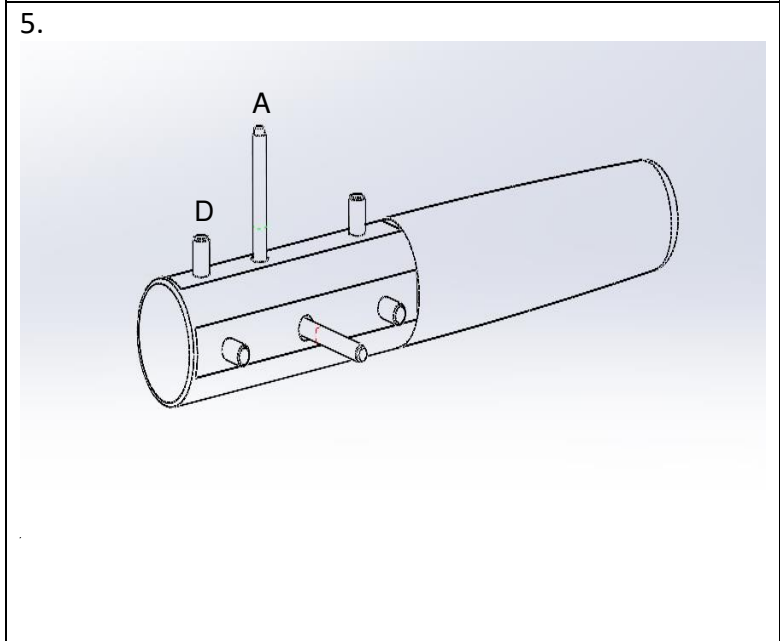
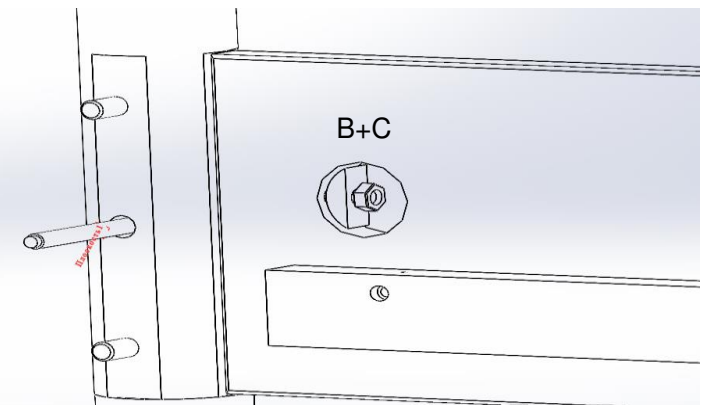
Bed Helen

Pin – 12 pcs  A	Puck "half moon" – 12 pcs  B	Nut – 12 pcs  C
Dowel – 18 pcs  D	Screw 4x35 – 36 pcs  E	Screw 4x20 – 16 pcs  optional for a slat F
	13 	

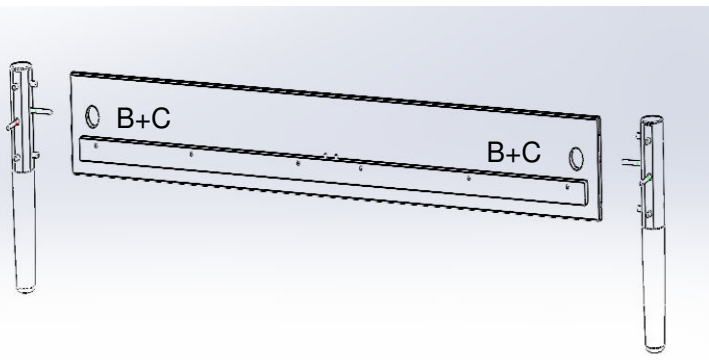
2.



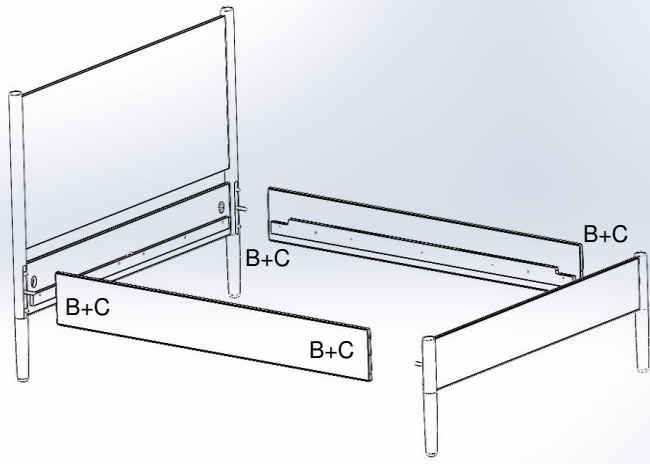
4.



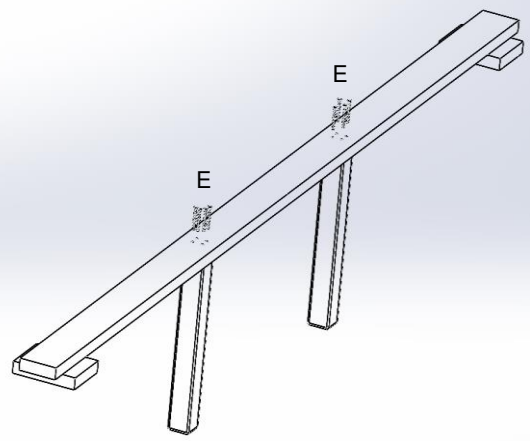
6.



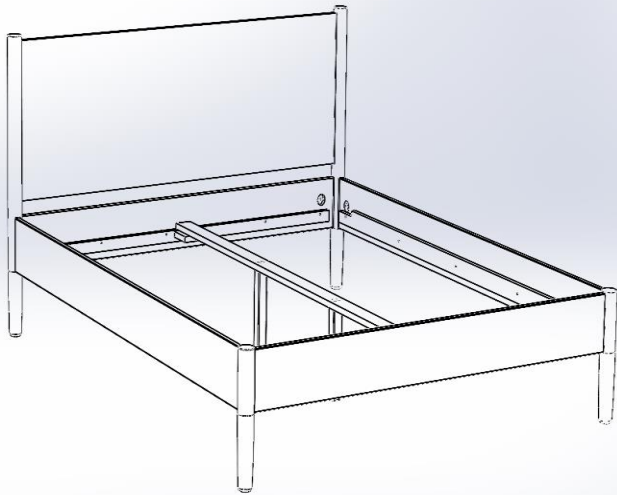
7.



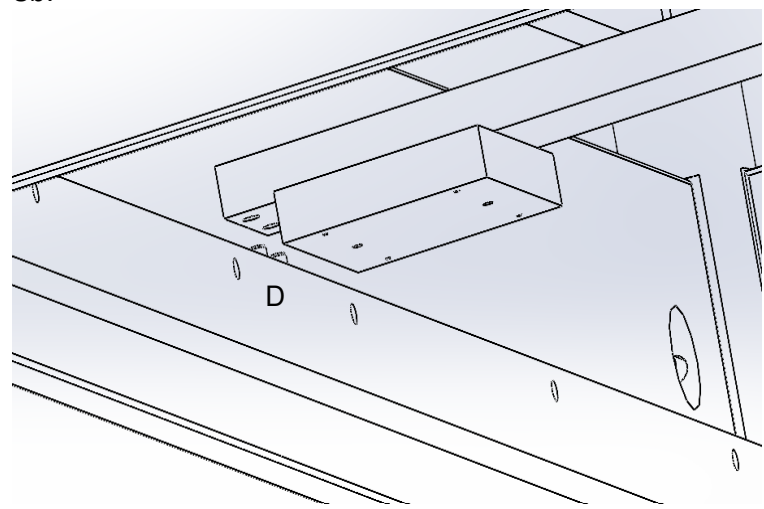
8.



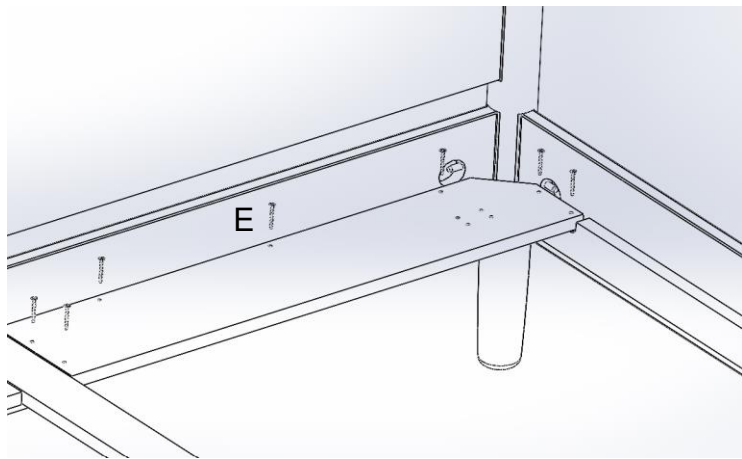
8a.



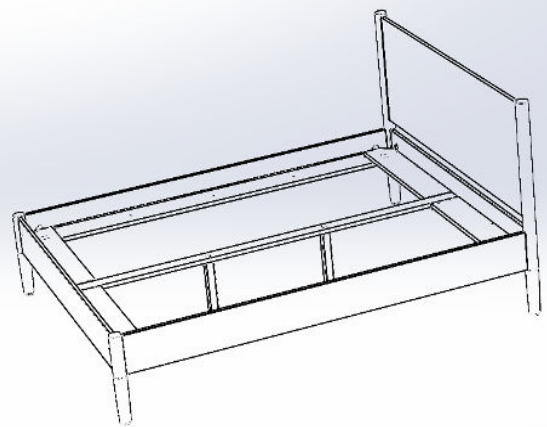
8b.



9.



9a.



10.

