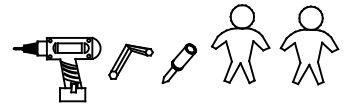
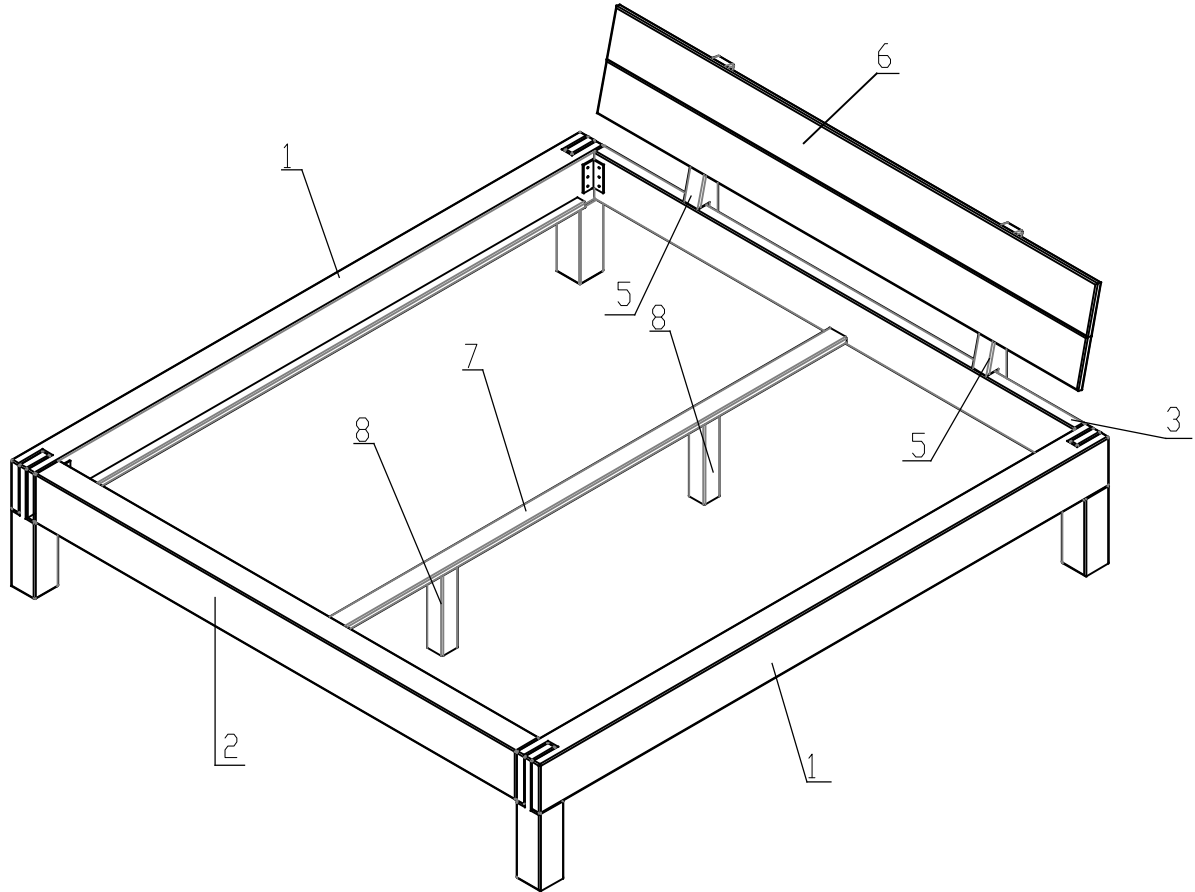
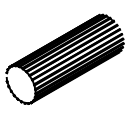

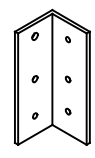






BED WINDSOR

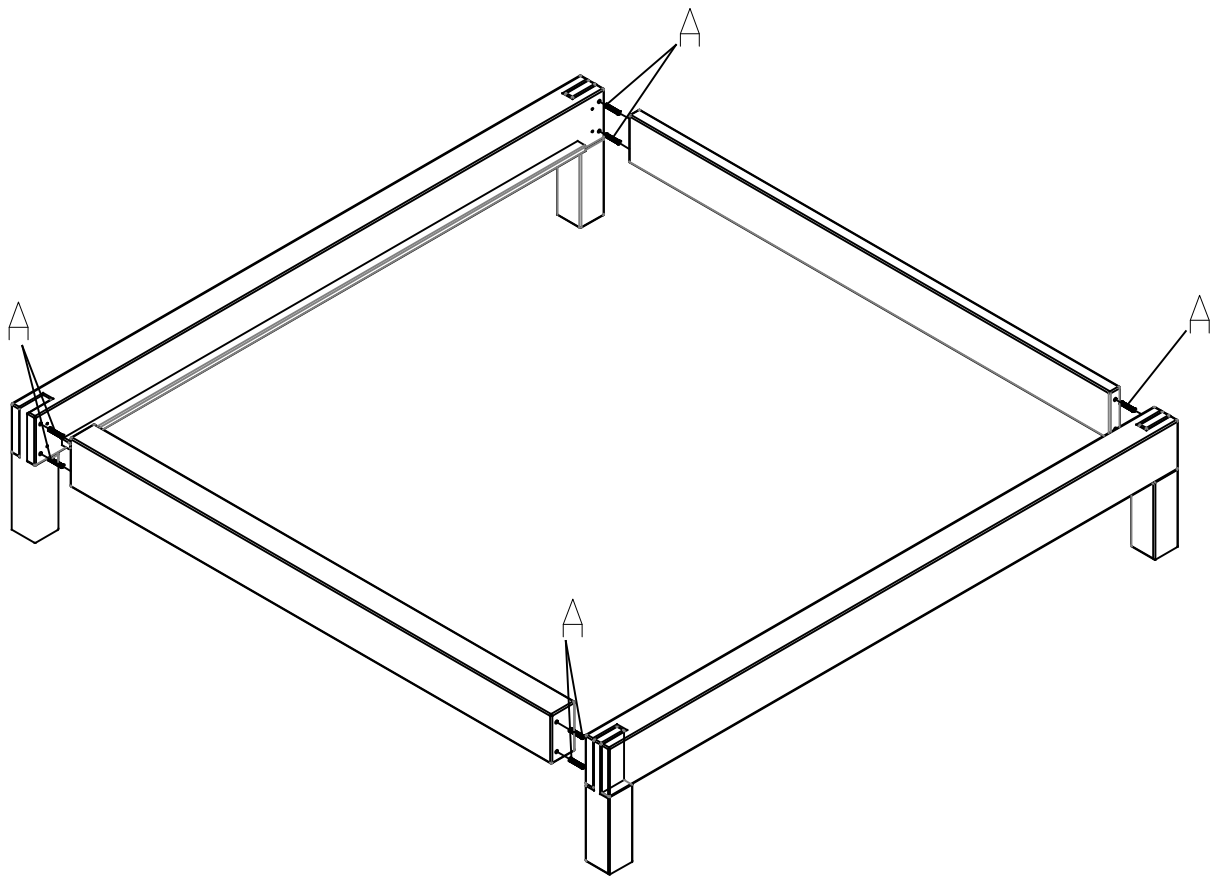


40 Minutes

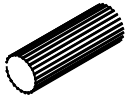


10x50  AX8	3,5X20  BX38	40x40x90  CX4	 DX2	 Ex2	SW 4  x1	6X55  Fx12			
--	---	--	--	--	---	---	--	--	--

1.

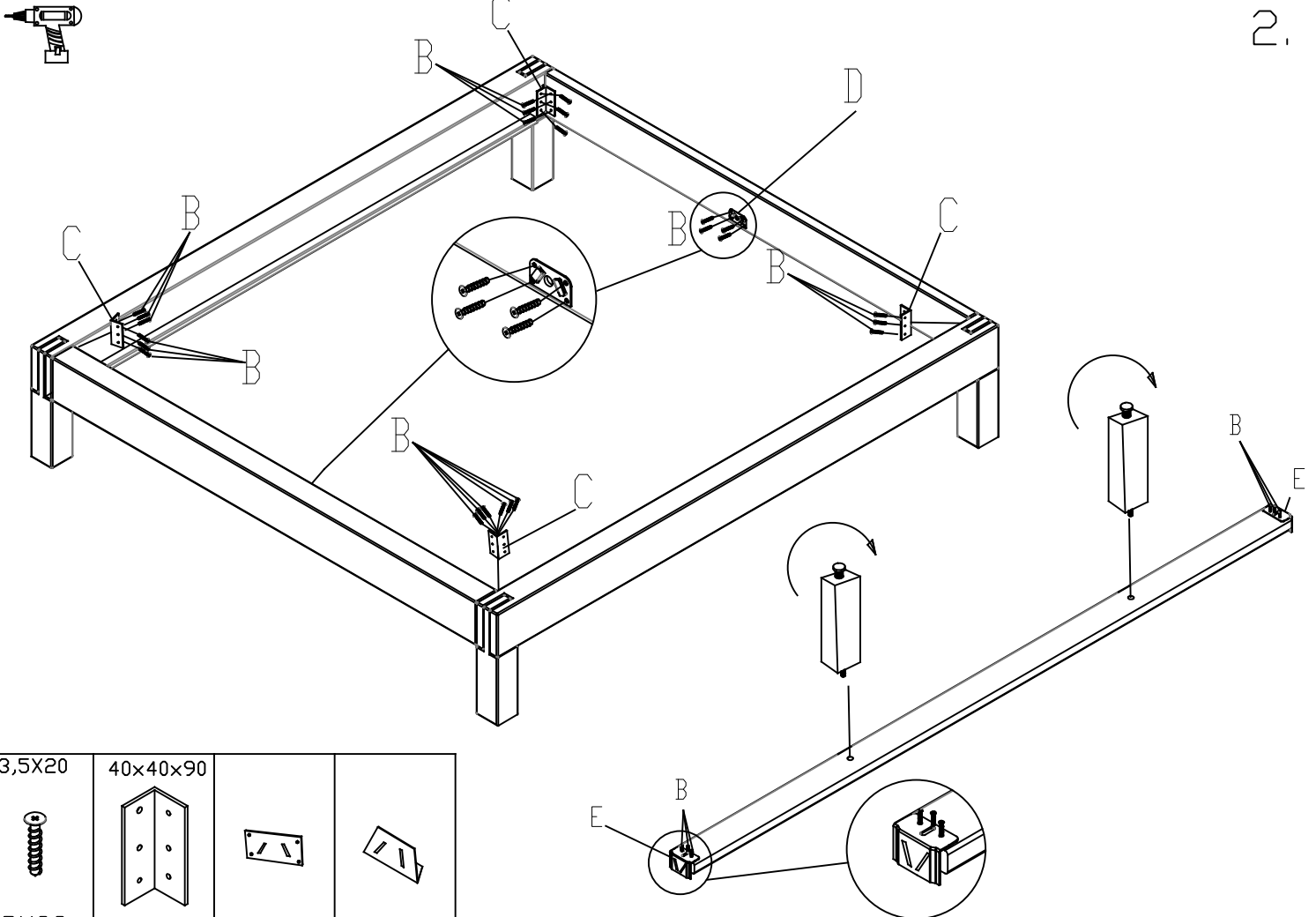


10x50



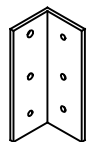
Ax8

2.



3,5X20

40x40x90



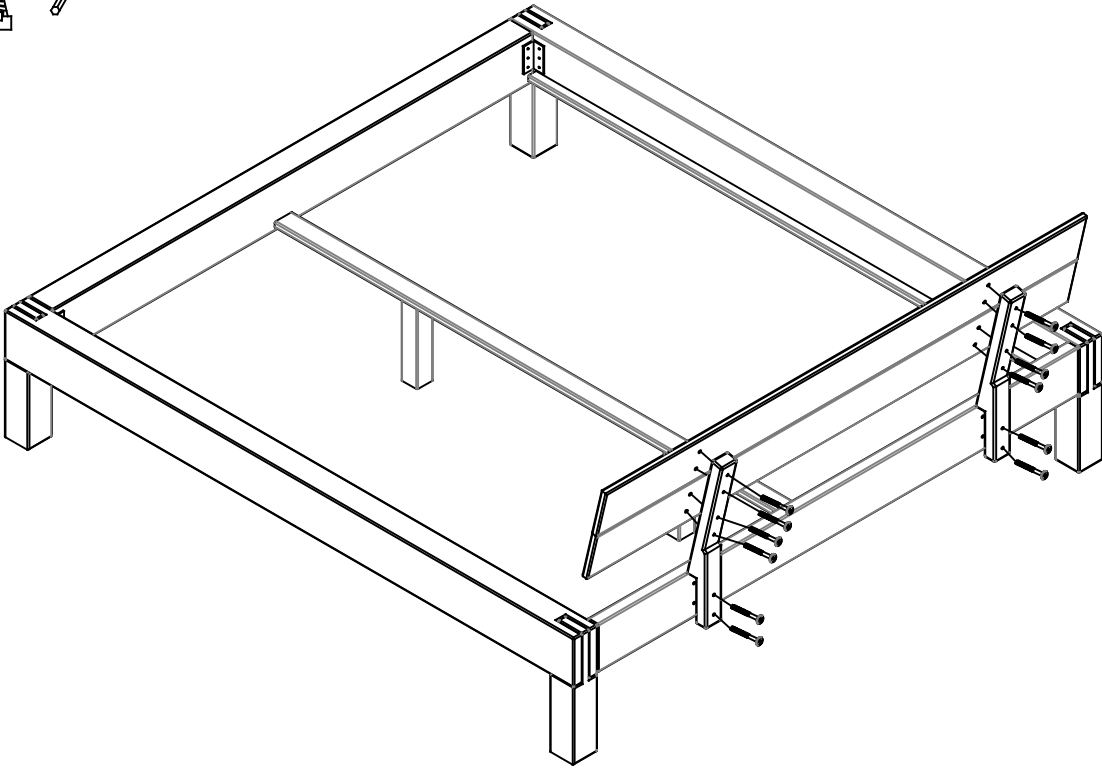
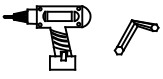
BX38

CX4

DX2

Ex2

3.



6X55

SW 4



Fx12

x1

4.

