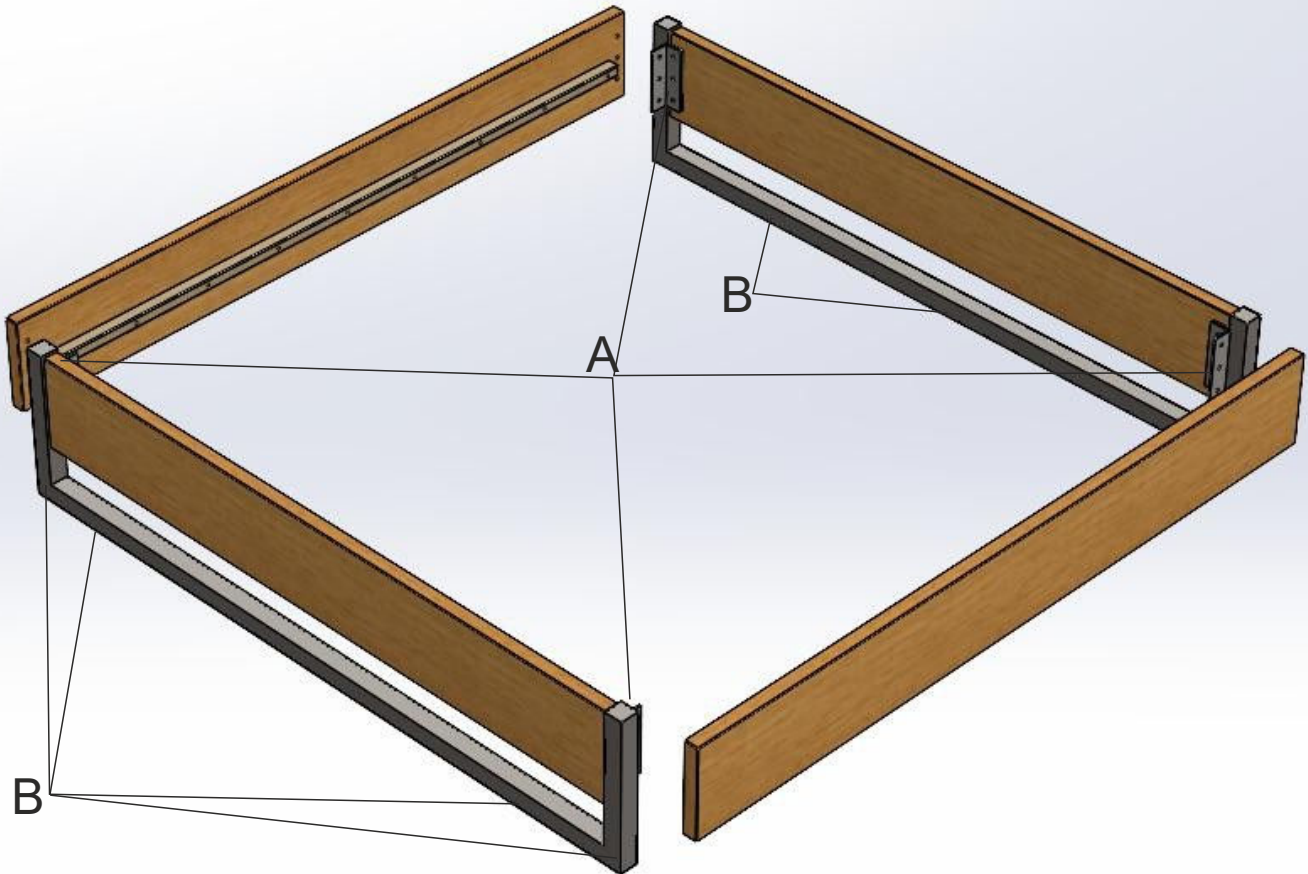
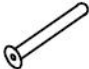







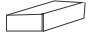




# BED VERONA

## - ASSEMBLY INSTRUCTION

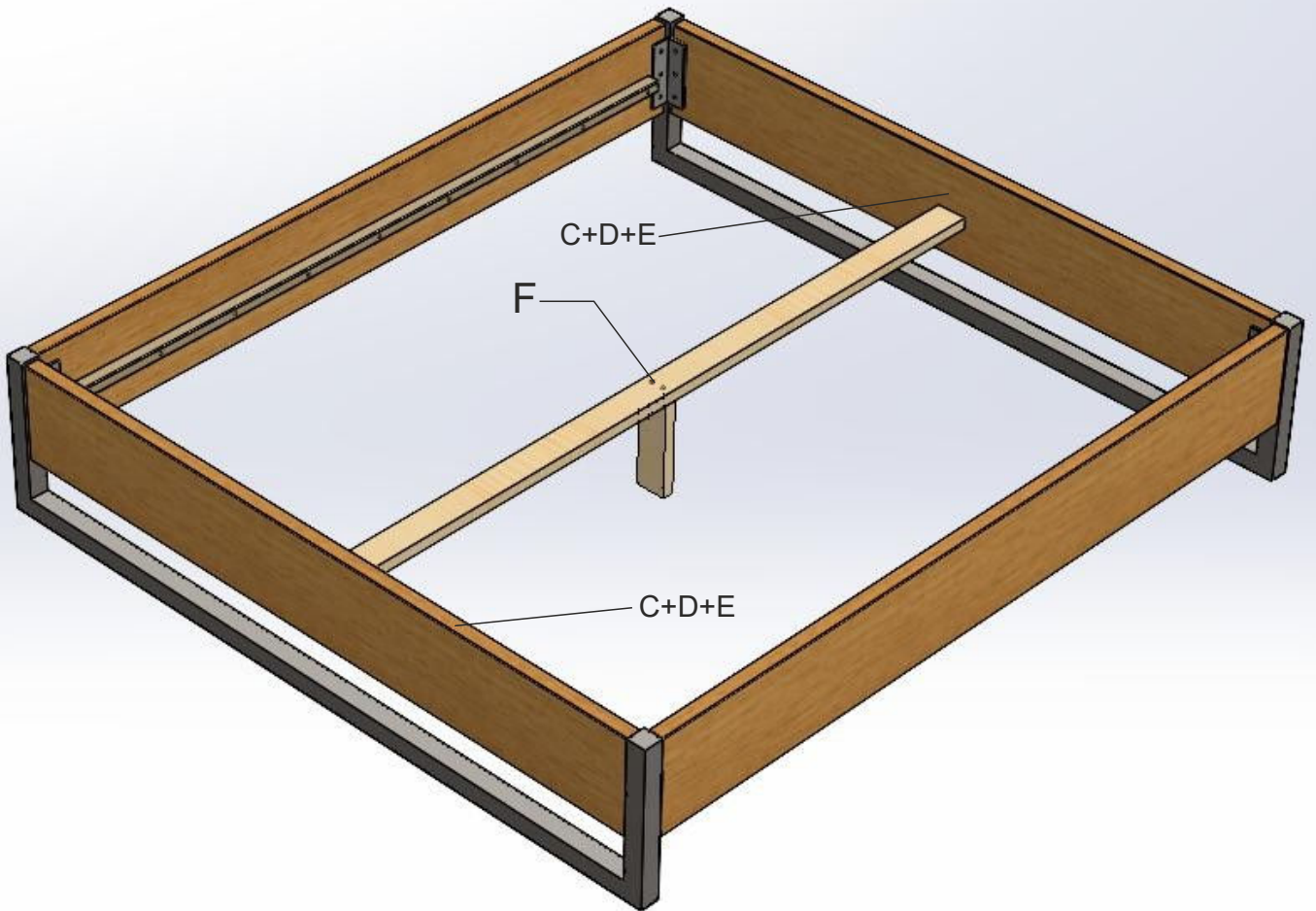


<b>M6x30</b>  12 Packed 20 on bed Ax32	<b>Black felt</b>  Bx8	 Cx2	 Dx2	<b>M6x60</b>  Gx8
<b>3,5x30</b>  Ex44	<b>6x70</b>  Fx2	 Hx1	<b>Distancer</b>  Hx1	



# BED VERONA

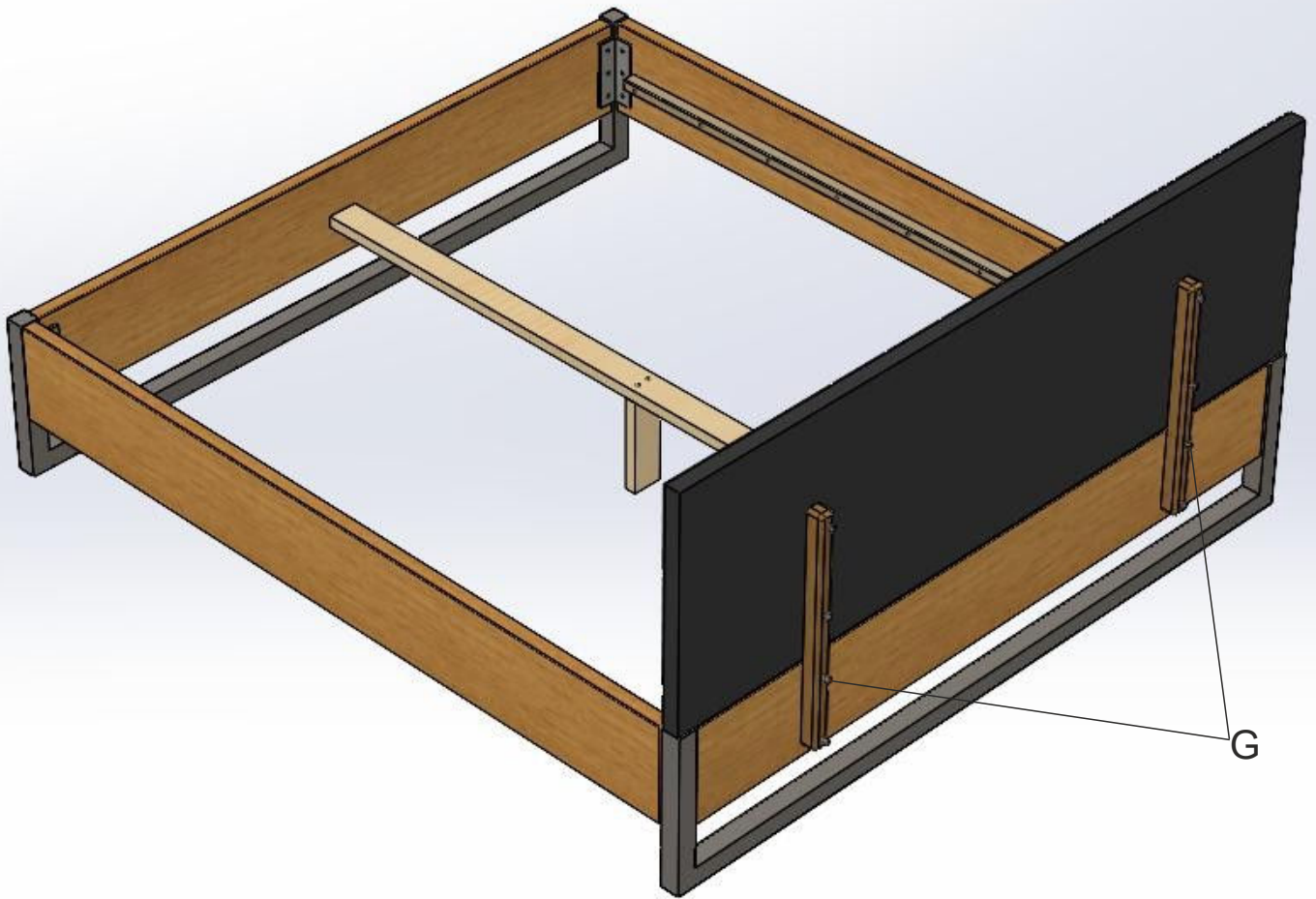
## - ASSEMBLY INSTRUCTION





# BED VERONA

- ASSEMBLY INSTRUCTION





# BED VERONA

## - ASSEMBLY INSTRUCTION

Keep distance between the slats with distancer (G)

