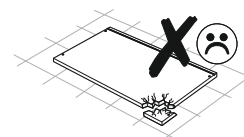
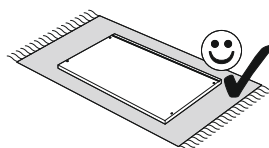
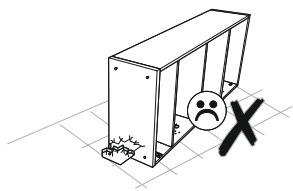
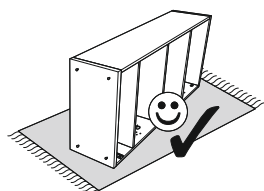
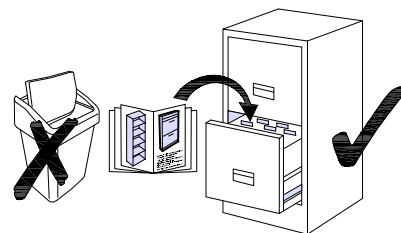
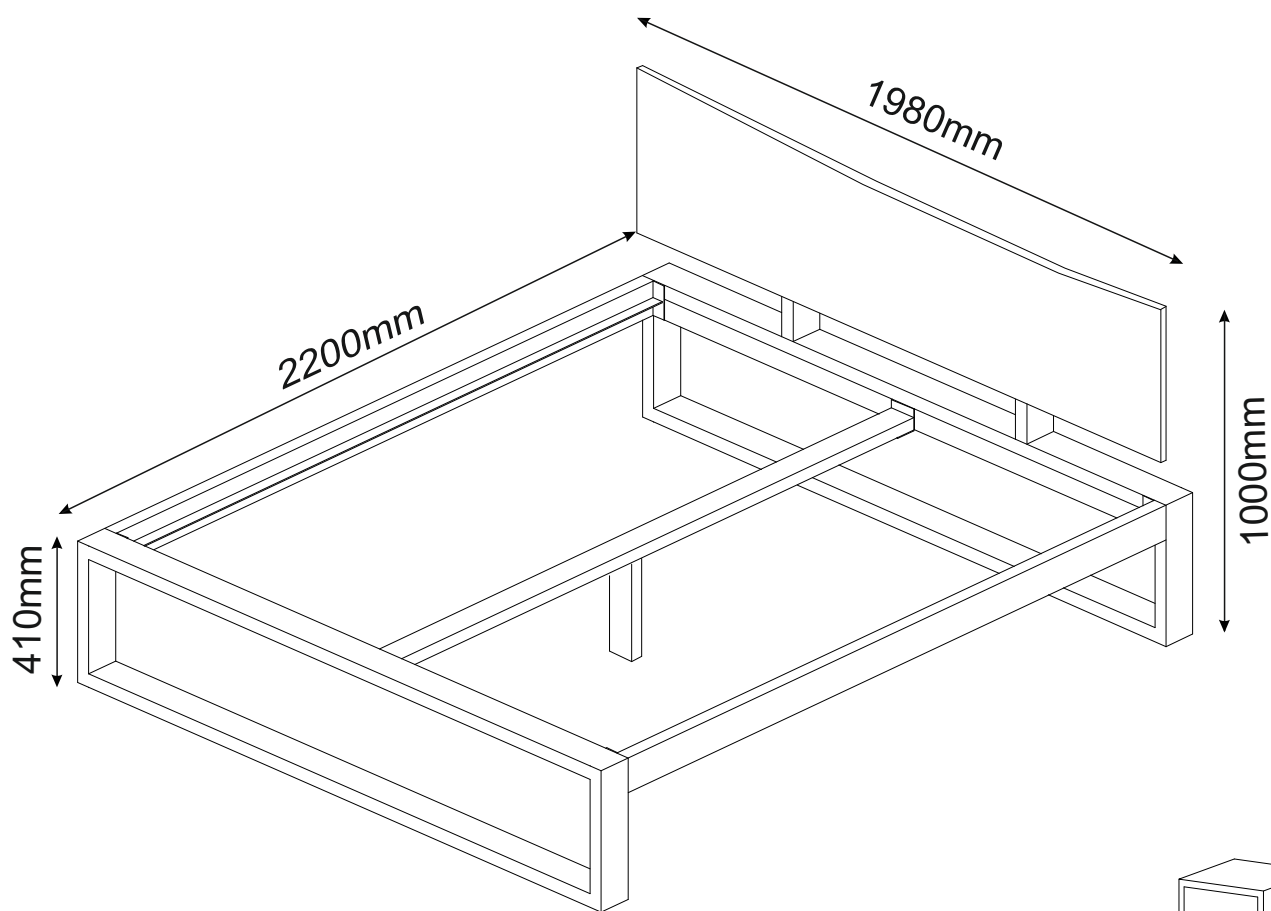
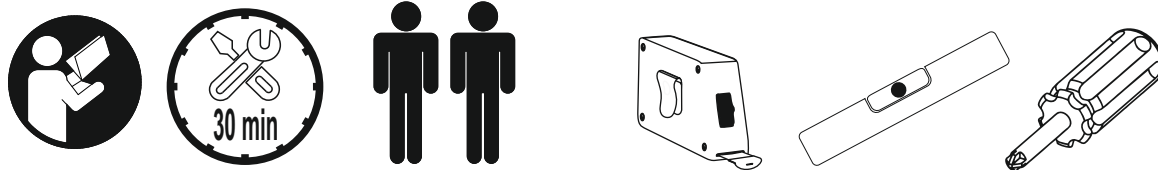
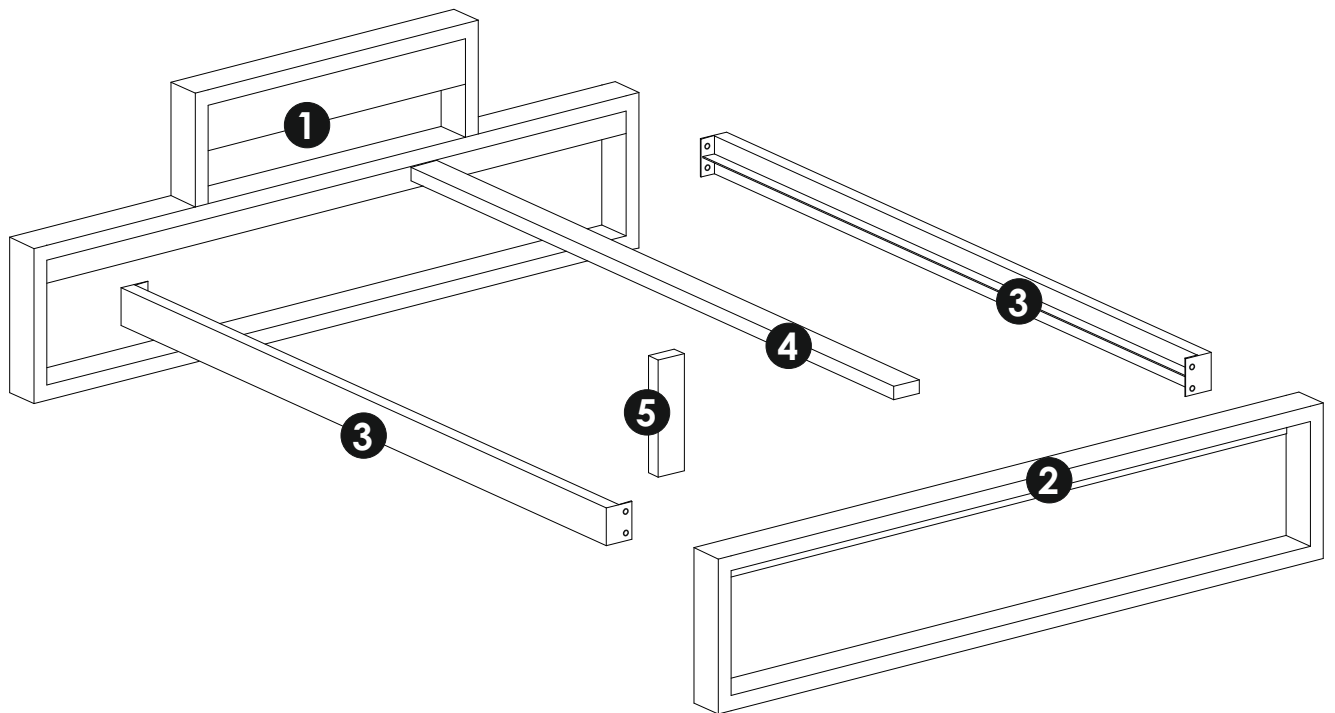
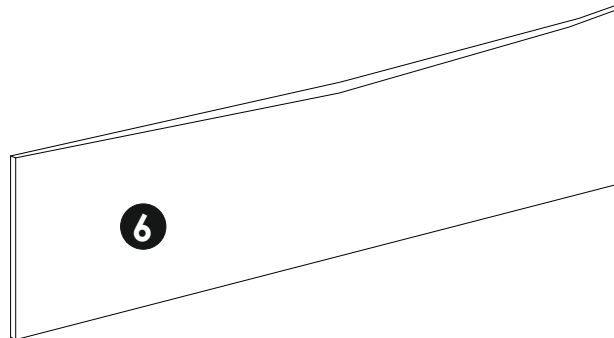
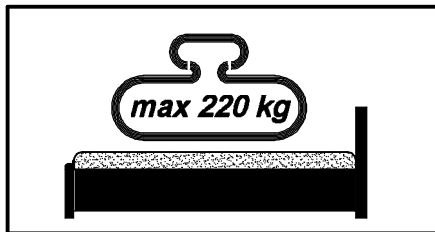



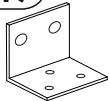

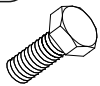

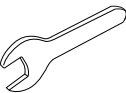



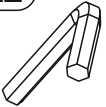
BED TARA

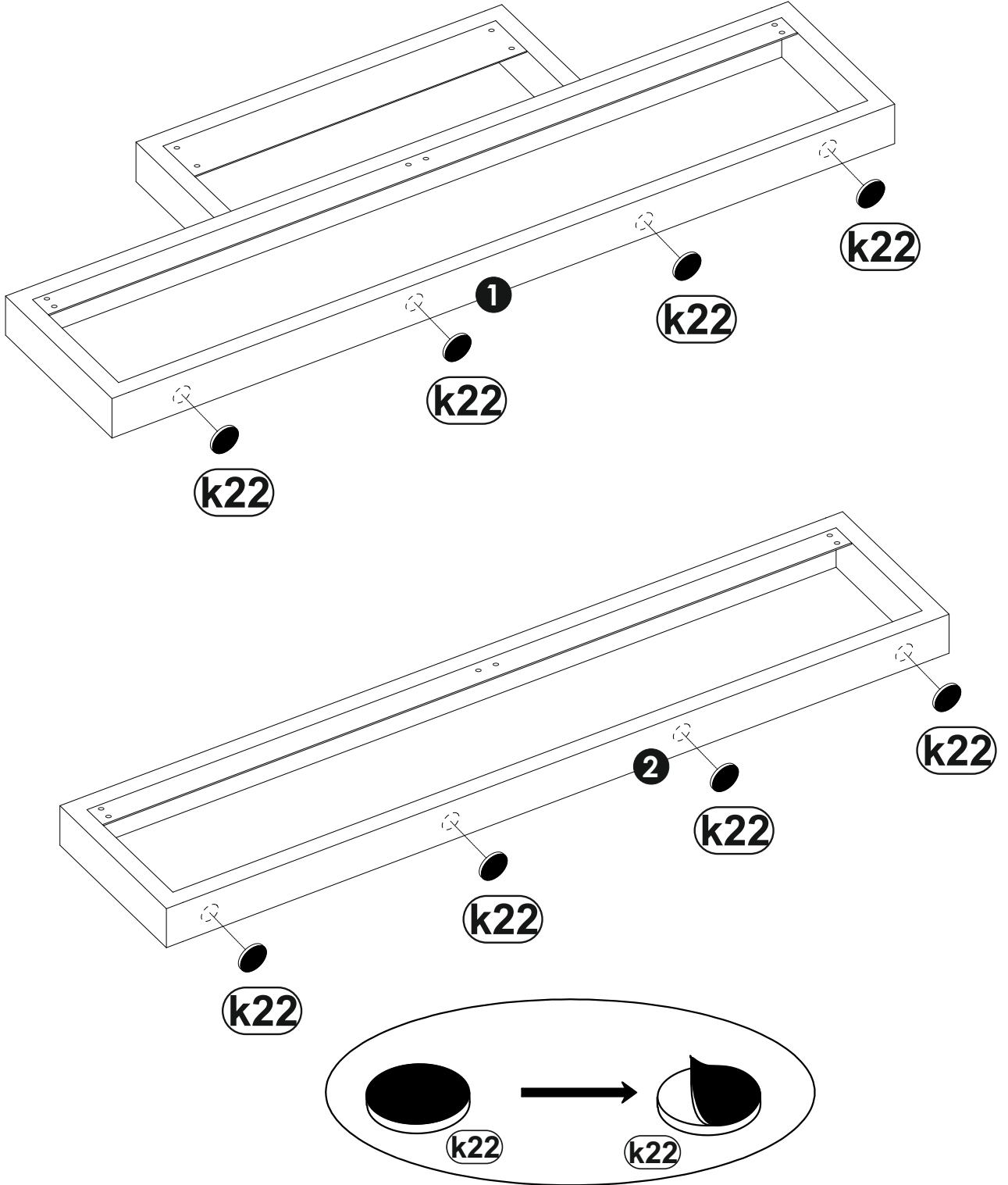
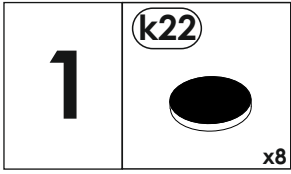
ASSEMBLY INSTRUCTION

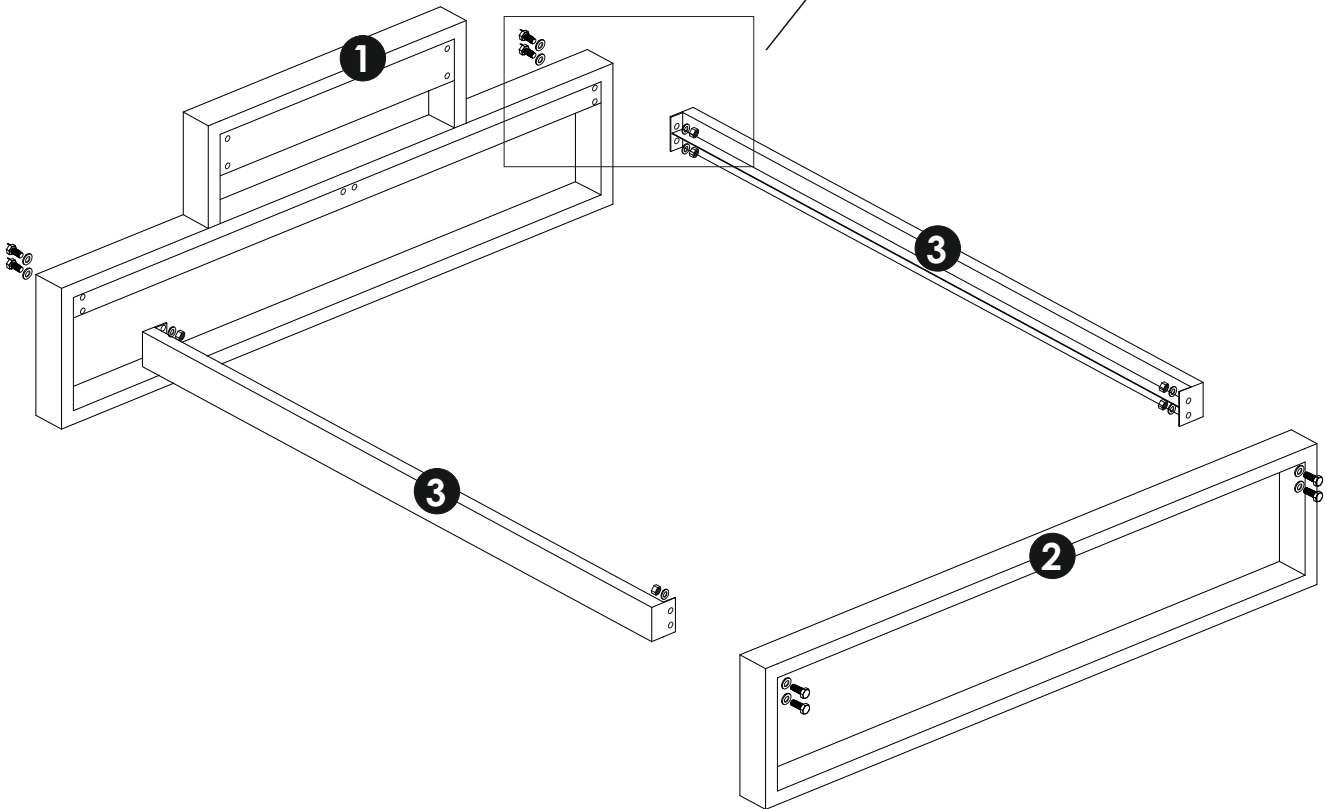
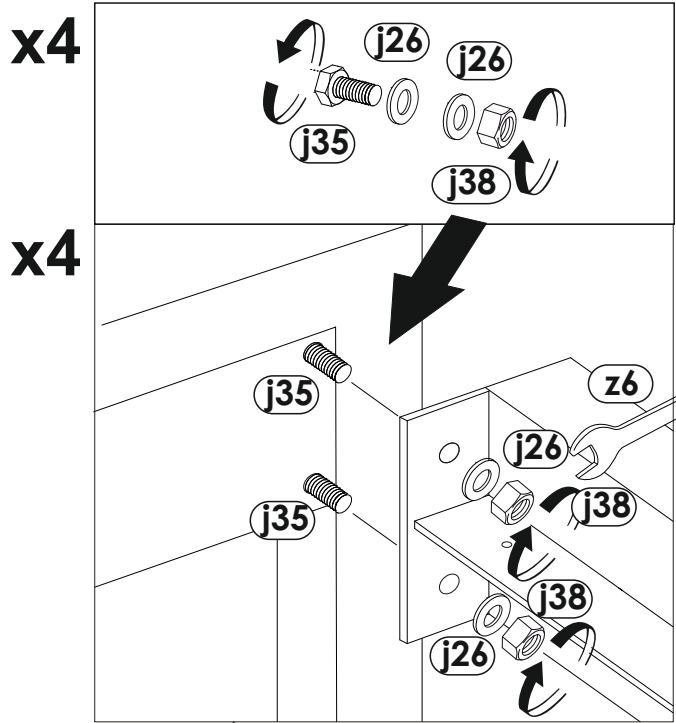
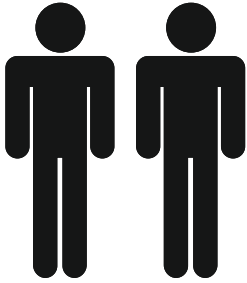
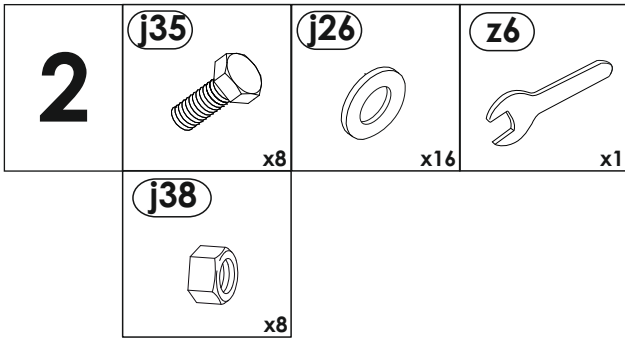


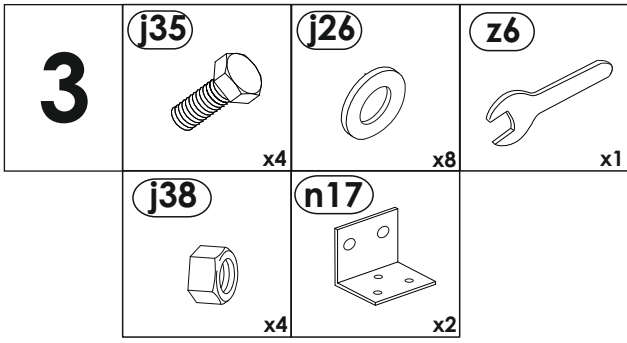
BED TARA



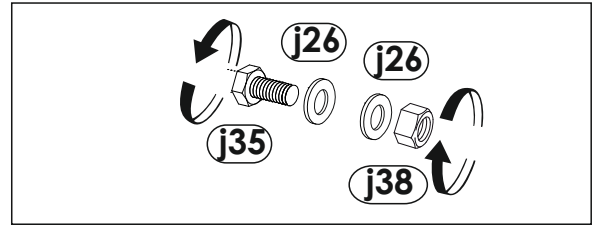
<p>j38</p>  <p>x12</p>	<p>n17</p>  <p>x2</p>	<p>k22</p>  <p>x8</p>				
<p>j35</p>  <p>x12</p>	<p>j26</p>  <p>x24</p>	<p>z6</p>  <p>x1</p>	<p>p5</p>  <p>x6</p>	<p>p12</p>  <p>φ4x50 mm x2</p>	<p>j20</p>  <p>x4</p>	<p>z2</p>  <p>x1</p>







x2



x2

